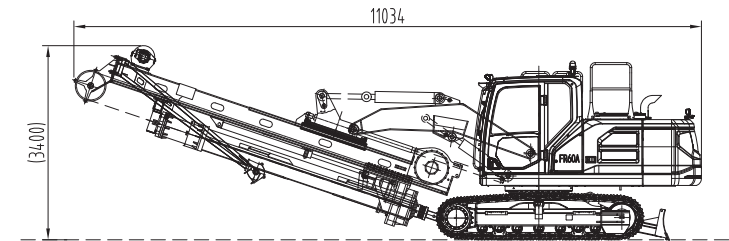
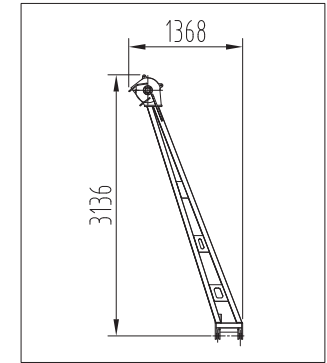
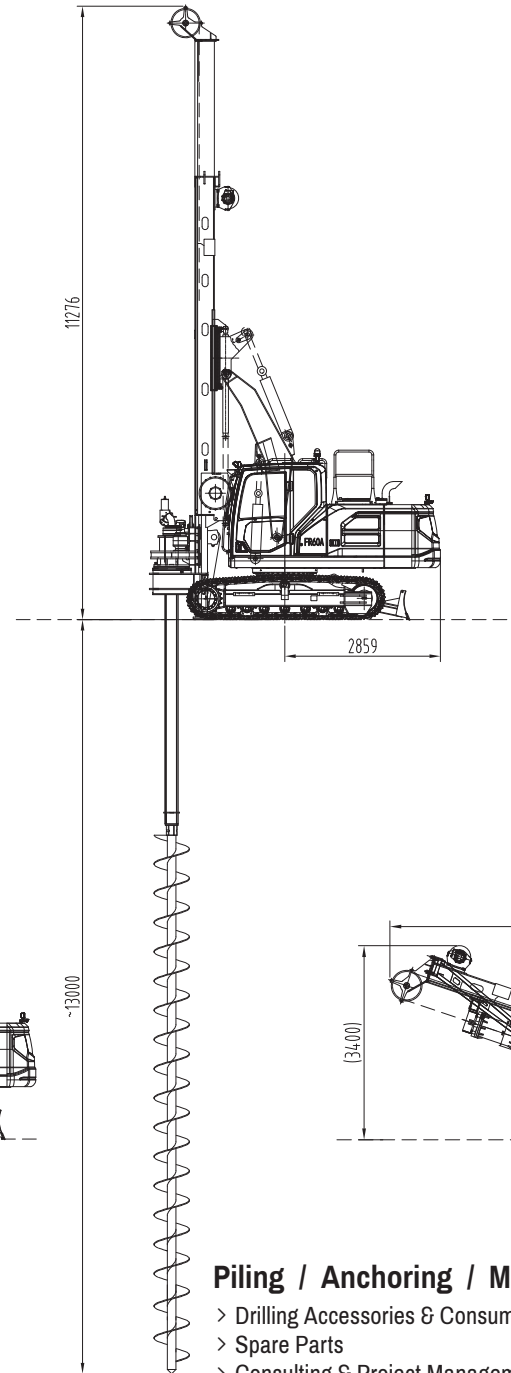
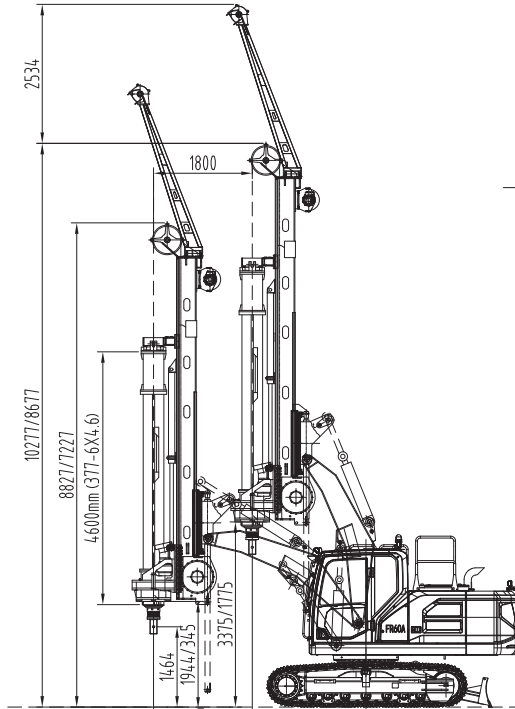
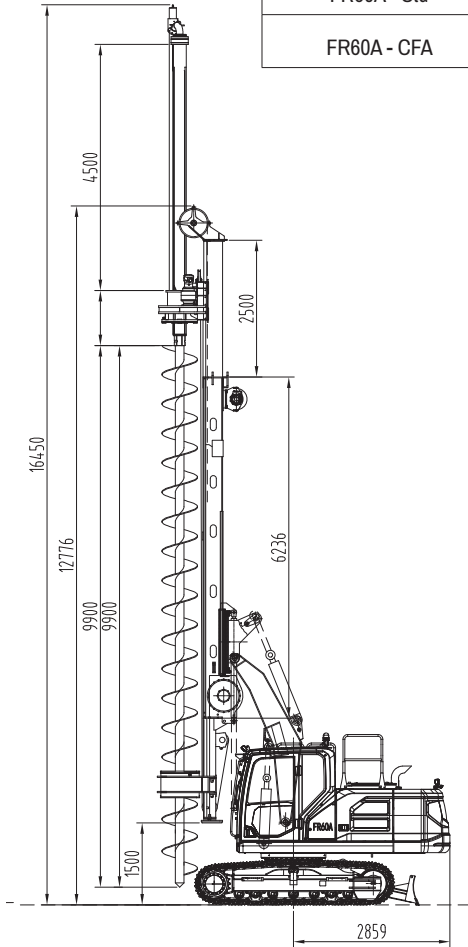




# Mechanical Specification FR60-A Rig

Description	Drill Depth	Mark
FR60A - Std	23m	6 - Elements Kelly Bar
FR60A - CFA	13m	Double force



## Piling / Anchoring / Mining

- > Drilling Accessories & Consumables
- > Spare Parts
- > Consulting & Project Management

☎ +61 481 333 037  
 ✉ dean@bettindrilling.com.au  
 🌐 www.bettindrilling.com.au  
 📍 U5 / 5 Harbord St, CLYDE NSW 2124