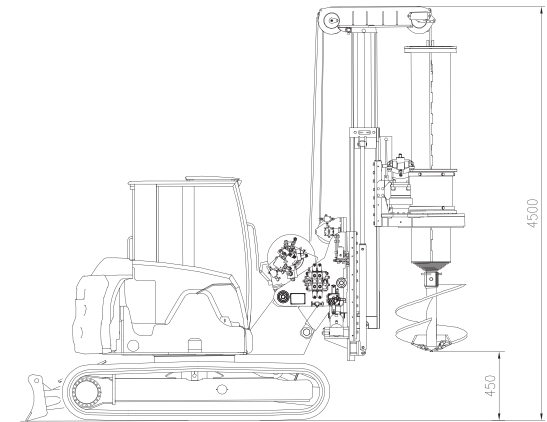
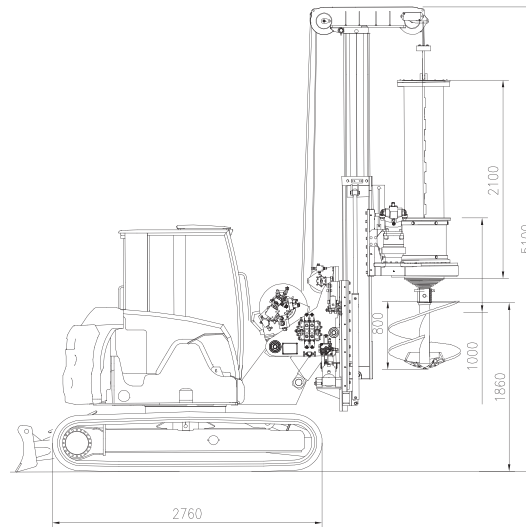
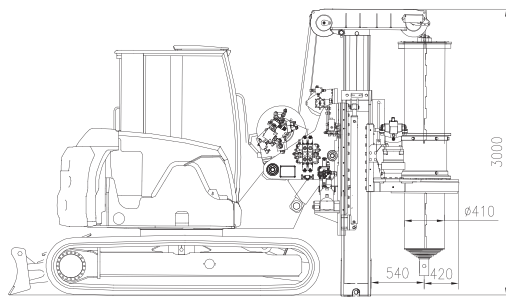




Mechanical Specification FR35 Rig

Description	Drill Depth	Mark
FR35 - 500mm Auger	13.0m	Min Working Height 3.3m Max Working Height 5.2m



Piling / Anchoring / Mining

- > Drilling Accessories & Consumables
- > Spare Parts
- > Consulting & Project Management

- +61 481 333 037
- dean@bettindrilling.com.au
- www.bettindrilling.com.au
- PO Box 1361 Dee Why NSW 2099